

Flatman LCD Chassismonitor



Chassis Monitor with VGA analog RGB Signal Interface and FBAS + HDMI Video Input (option)



Order Information

Order#

FS150SIOEDD00

FS170SBOEDD00

FS190SBOEDD00

Description

Flatman LCD Chassismonitor 15"

Flatman LCD Chassismonitor 17"

Flatman LCD Chassismonitor 19"

s&t embedded GmbH – Breslauer Str. 3 – 85386 Eching - Germany

Phone: +49 89 370058 – 0 Fax: +49 89 37000 689

Mail to: info@snt-embedded.de

www.snt-embedded.de



Flatman LCD Chassismonitor

Technical Information

Display	15"	17"	19"
Resolution	1024 x 768	1280 x 1024	1280 x 1024
Format	4:3	4:3	4:3
Brightness	350cd	350cd	350cd
Contrast Ratio	700:1	800:1	1000:1
Angle View	H160° / V140°	H170° / V160°	H170° / V160°
H-Frequency	30KHz . 83KHz	30KHz . 83KHz	30KHz . 83KHz
V-Frequency	50Hz – 75Hz	50Hz – 75Hz	50Hz – 75Hz
Colors	16.7 million	16.7 million	16.7 million
LED Lifetime	LED min. 50.000h (> 50%, 25°C)	LED min. 50.000h (> 50%, 25°C)	LED min. 50.000h (> 50%, 25°C)
Touch Options	w/o / capacitive / P-Cap / resistive	w/o / capacitive / P-Cap / resistive	w/o / capacitive / P-Cap / resistive
Dimensions (WxHxD)	374 x 279 x 50	424 x 343 x 52	424 x 343 x 52
Weight	~ 3.3kg	~ 4kg	~ 4.7kg

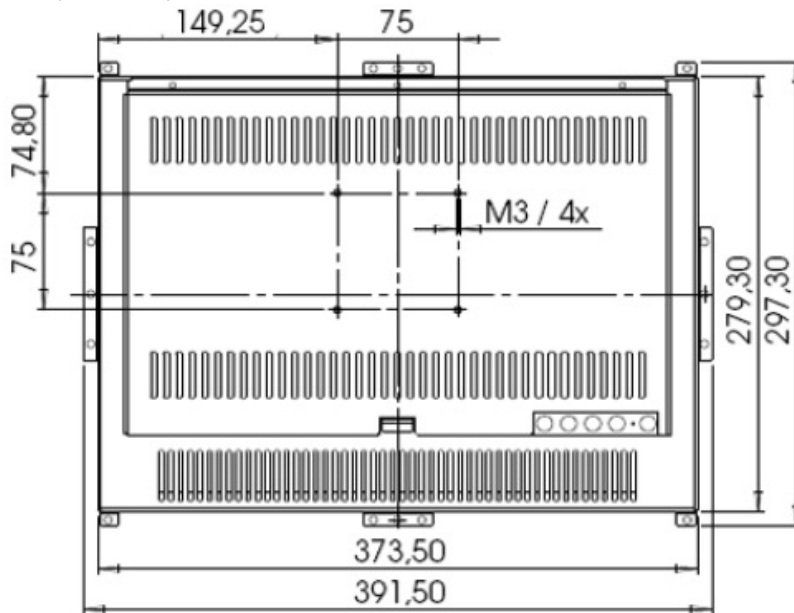
Mounting Option	OpenFrame
Fastening	VESA 75/75
Color	RAL 7021 (black anthracite)
I/O Standard	1x VGA, 1x DVI-D
Up- and Downscaling	Yes, high quality
Power Supply	12V _{DC} Input via external Power Supply 230V
Cooling	Fanless passiv cooling
Operating Temperature	0°C - 45°C ambient
Humidity	5%-90% non condensing
Separate Sync	yes
Composite Sync	yes
Sync on green	yes
RS485 Remote Control	---
Ethernet Remote Control	---
Win OSD	---

Options (on demand)	<ul style="list-style-type: none"> - front panel black (RAL7021) - 19" Rackmounting front - Integrated Power Supply 10V_{DC}~32V_{DC} Input - Operating Temperature -20°C – 70°C - Protection class IP20 / IP65 (dust-proofed, splash-proofed) - Interfaces FBAS+, HDMI - brightness control
---------------------	---

Flatman LCD Chassismonitor

Dimensions:

15": (rear view)



17" / 19": (rear view)

